

Full-Spectrum T8 Tube



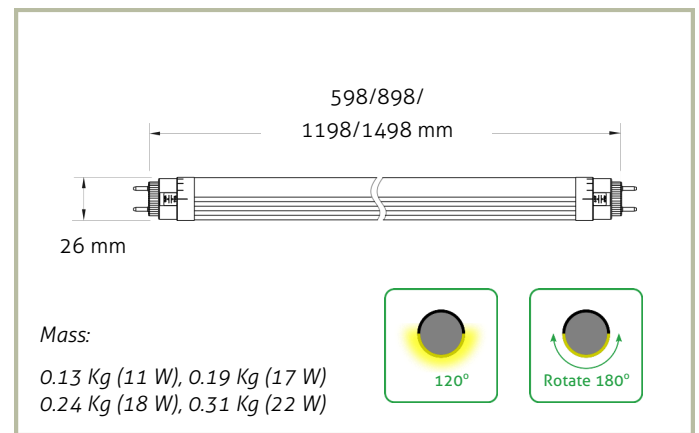
The ease and speed of a retrofit LED upgrade is now an option for even the most demanding healthcare applications with Ecopoint's high-specification Cyanosis Tubes. Boasting exceptional colour rendering performance and a Cyanosis Observation Index (COI) comfortably within the requirements of AS/NZS 1680.2.5, this product allows you to merge the efficiency and lifespan of LED technology with your existing luminaire assets with minimal disruption and great economics.

Key applications: Healthcare facility retrofits

GENERAL SPECIFICATIONS:

Electrical Specifications	200-277 V / 50-60 Hz / PF \geq 0.95
Dimming Options	Available, with external drivers
Colour Temperatures	4000K
Colour Rendering Index	Ra \geq 95
Colour Consistency	\leq 5 SDCM
Operating Temperatures	- 20 to 40 deg. C
Construction	Ext. aluminium body, PC diffuser
Ingress Protection	IP20
Warranty	5 years

DIMENSIONS:



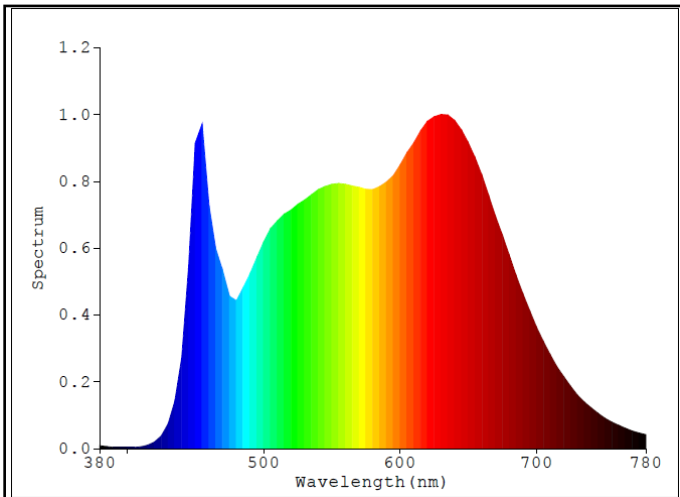
STANDARD MODELS

Product Code	Description	Size	Power	Flux
EJC600C11W940	J-Series LED T8, 600mm, 4000K, CRI>95 Full-Spectrum chipset, Clear lens	598 mm x Ø26 mm	11 W	1,100 lm*
EJC900C17W940	J-Series LED T8, 900mm, 4000K, CRI>95 Full-Spectrum chipset, Clear lens	898 mm x Ø26 mm	17 W	1,800 lm*
EJC1200C18W940G2	J-Series LED T8, 1200mm, 4000K, CRI>95 Full-Spectrum, Clear lens	1198 mm x Ø26 mm	18 W	2,400 lm
EJC1500C22W940G2	J-Series LED T8, 1500mm, 4000K, CRI>95 Full-Spectrum, Clear lens	1498 mm x Ø26 mm	22 W	3,100 lm

Notes:

* Flux values 'nominal'; subject to confirmation.

COLOUR SPECTRUM DATA:



Ra	R1	R2	R3	R4	R5	R6	R7	R8	R9	R10	R11	R12	R13	R14	R15
97	97	99	98	98	98	97	97	97	96	99	97	77	97	98	96

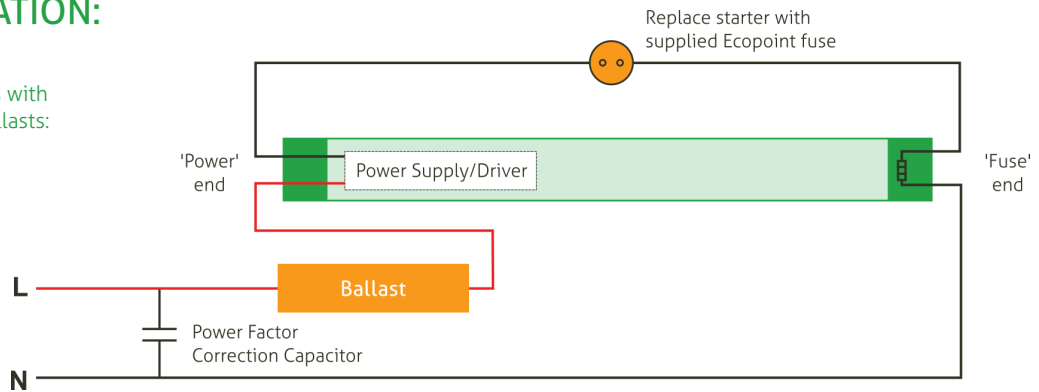
Cyanosis Observation Index = 0.5 ± 0.1

Correlated colour temperature = $3941 \pm 40K$

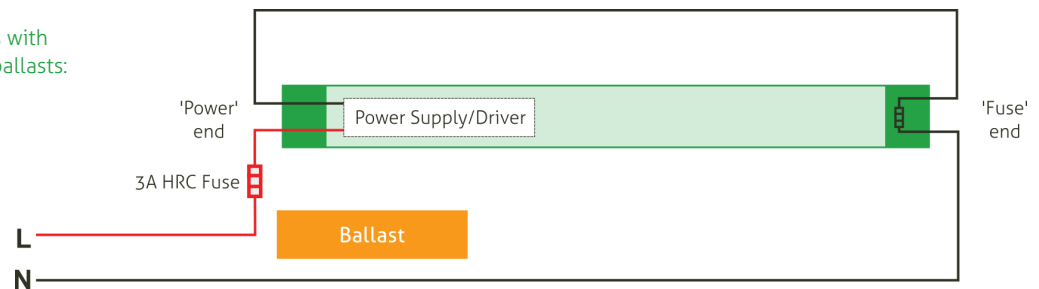
Colour rendering values from manufacturers spectrometry report. Cyanosis Observation Index and CCT figures from University of NSW AS/NZS 1680.2.5 test reports (report numbers 18067.1 and 18067.2).

WIRING INFORMATION:

* For luminaires with **MAGNETIC** ballasts:



* For luminaires with **ELECTRONIC** ballasts:



LUMEN MAINTENANCE:

Model	L70	L80	L90	Ambient Temp.
J-Series LED T8 Lamps (all variants)	-	70,000 hrs	30,000 hrs	25° C

Lumen maintenance values have been calculated using TM21 methods, based on LM80 data and ISTMT data while operating in the specified ambient conditions. LM80 data covers 10,000 hours, so predictions beyond 60,000 hours are outside of TM21 reporting guidelines, and are provided here for indicative purposes only.