



Description:

A trunk-lighting system can be the most versatile tool at a lighting designer's disposal, with many possible configurations and options to suit a variety of applications. The simple two-piece plug-and-play construction makes for rapid installation. Select from three different flux packages and five different optical distributions to place the right amount of light in exactly the place it is required. Expand possibilities with 3-circuit track modules, and join multiple runs together with L, T or X joiners for geometric arrangements. Choose either black or white options to suit your colour scheme.

Mounting:

Suspended or surface-mounted; individual or continuous.

Key Applications:

Retail spaces, Supermarkets, Public buildings, Commercial spaces etc.

GENERAL SPECIFICATIONS:

Electrical Supply	200-240 V AC / 47-63 Hz
Driver Specifications	> 0.95 PF, THD<10%
Dimming Options	Non-dim, DALI
Colour Specifications	4000K (3000K, 5000K opt.) / R _a > 80 (> 90 opt.) / 3 SDCM
Operating Temperatures	- 20 to 45 deg. C
Construction	Extruded aluminium profiles, PMMA lens, aluminium end caps
Colour Options	White, Black

STANDARD MODELS

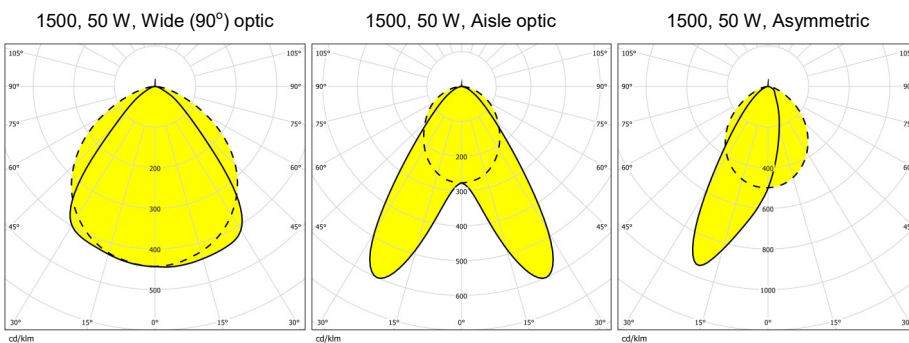
Type	Size (mm)	Mass (kg)	Optic	Power	Flux*	Lumen Maintenance**
OptaTrunk 1200	1200 x 65 x 72	3.2	Narrow (25°), Medium (60°), Wide (90°), Aisle, Asymmetric	27 W 40 W 50 W	4,540 lm 6,720 lm 8,250 lm	L90 @ 60,000 hrs (B50) L80 > 120,000 hrs (B50)
OptaTrunk 1500	1500 x 65 x 72	4.0	Narrow (25°), Medium (60°), Wide (90°), Aisle, Asymmetric	33 W 50 W 65 W	5,470 lm 8,170 lm 10,620 lm	L90 @ 60,000 hrs (B50) L80 > 120,000 hrs (B50)

Notes:

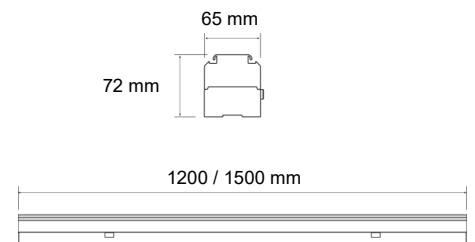
* Flux values relate to CRI>80, 4000K versions with Medium (60°) optic.

** Lumen maintenance per TM-21 at t_a 25° C (10,000 hrs LM-80 data; predictions beyond 60,000 hrs are outside of TM-21 reporting guidelines and indicative only).

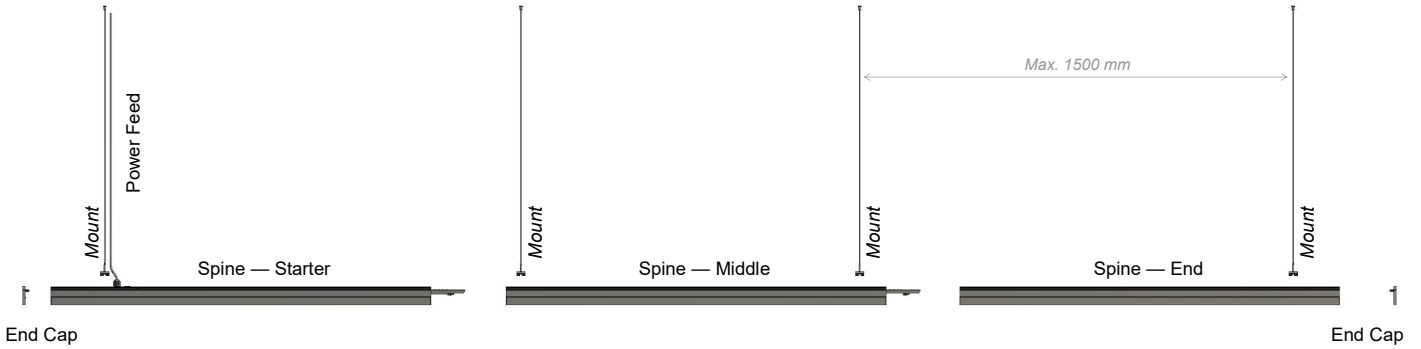
POLAR DIAGRAM



DIMENSIONS

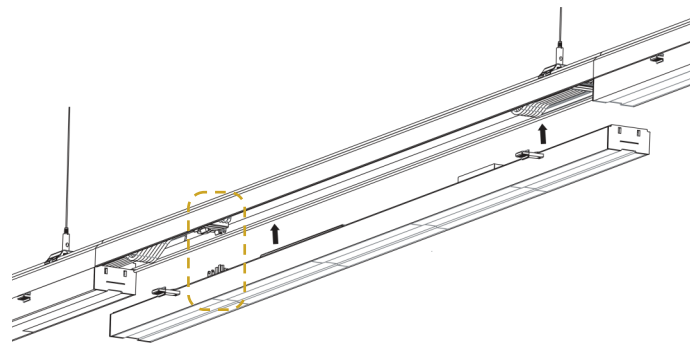


TRUNKING SPINE CONFIGURATION

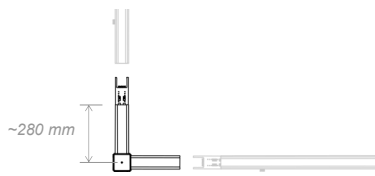


WIRING OPTIONS

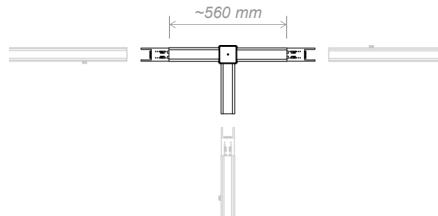
Circuit Number	5-Wire	7-Wire
Wire 1	Neutral	Neutral
Wire 2	Earth	Earth
Wire 3	Live — Phase 1	Live — Phase 1
Wire 4	Live — Phase 2	Live — Phase 2
Wire 5	Live — Phase 3	Live — Phase 3
Wire 6	-	DALI 1
Wire 7	-	DALI 2



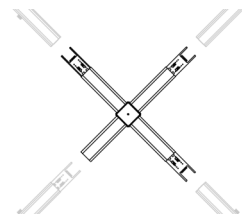
SPINE JOINERS



L Connector

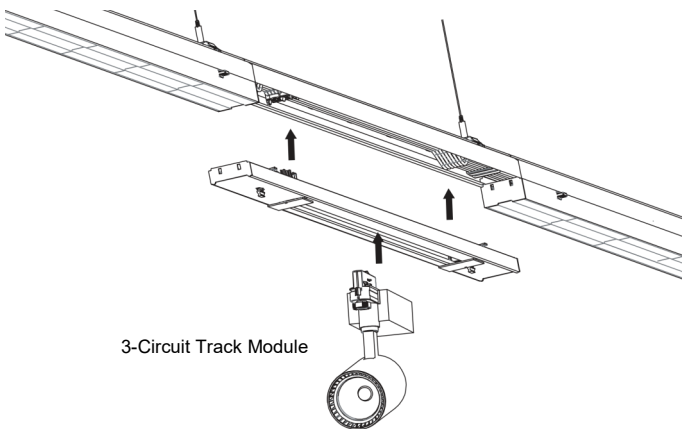


T Connector

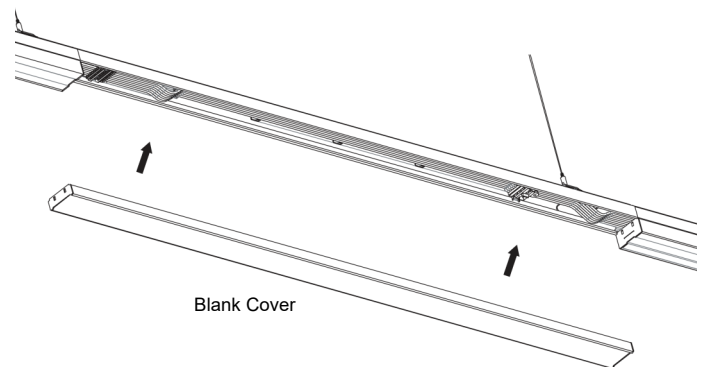


X Connector

OPTIONAL MODULES



3-Circuit Track Module



Blank Cover