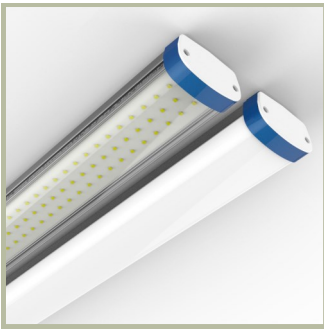


Compact Tri-Proof Luminaire



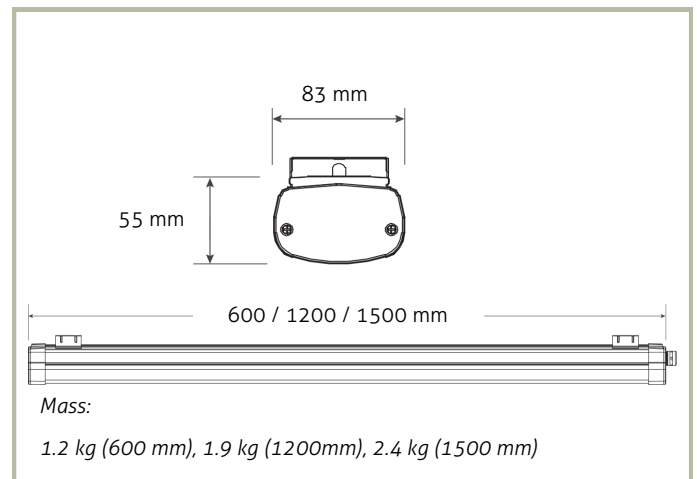
As an extension of Ecopoint’s standard Tri-Proof range, these compact versions are designed especially to resist damage when operating in high-demand environments where space may be at a premium. These high-efficiency luminaires can be surface-mounted or suspended, and in combination with the compact dimensions, offer a high level of flexibility.

Key applications: Commercial and industrial environments where increased protection is required e.g. carparks, carwashes, manufacturing spaces

GENERAL SPECIFICATIONS:

Power Factor	≥ 0.93 (230V)
Electrical Input	220-240 V / 50-60 Hz
Dimming Options	On request
Colour Temperatures	3000K, 4000K, 5000K, 6000K
Colour Rendering Index	Ra ≥ 80
Operating Temperatures	- 20 to 40 deg. C
Construction	Aluminium body, PC diffuser
Ingress Protection	IP65
Impact Protection	IK08
Warranty	5 years

DIMENSIONS:



MODELS

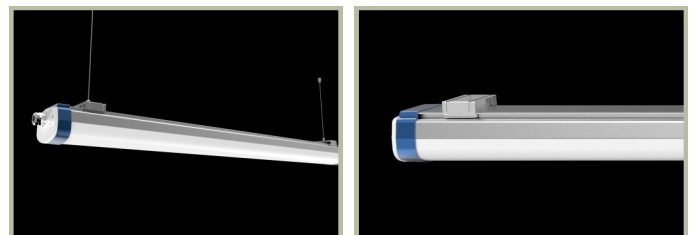
Product Code	Description	Size	Power	Flux*
ETP600W20W840-TW	Tri-proof, 600 mm, 4000K 20W, frosted diffuser	600 x 83 x 55 mm	20W	2,300 lm
ETP1200W40W840-TW	Tri-proof, 1200 mm, 4000K 40W, frosted diffuser	1200 x 83 x 55 mm	40W	4,700 lm
ETP1500W50W840-TW	Tri-proof, 1500 mm, 4000K 50W, frosted diffuser	1500 x 83 x 55 mm	50W	5,800 lm
ETP1500W65W840-TW	Tri-proof, 1500 mm, 4000K 65W, frosted diffuser	1500 x 83 x 55 mm	65W	7,700 lm

Notes:

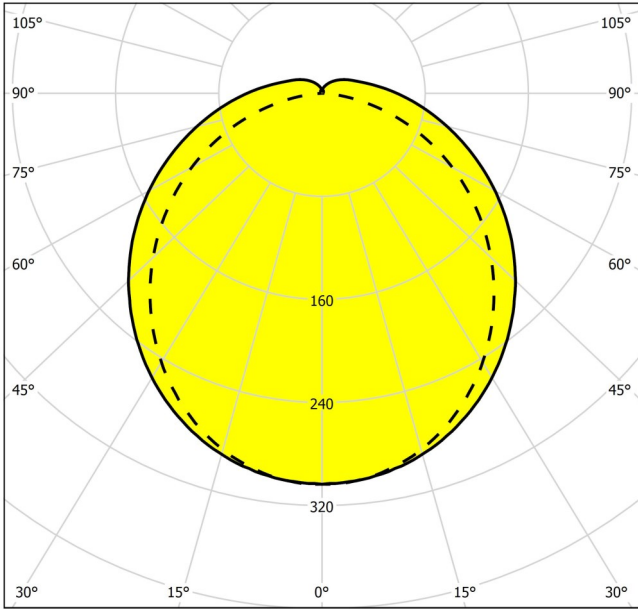
* Flux values shown here refer to 4000K specification with frosted diffuser; clear diffuser yields approx. 10 lm/W higher flux.

ACCESSORIES

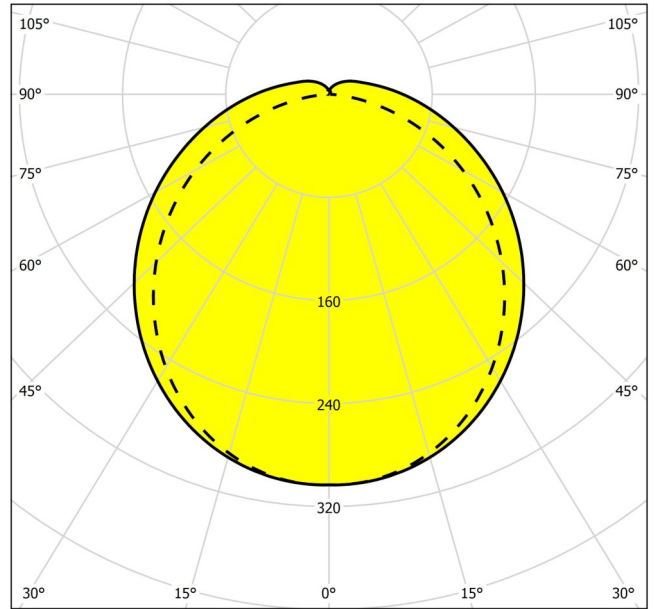
Accessory	Description
Suspension kit	Pair of steel cables with ceiling fixings and cable-gripper fixing for the luminaire end
Through-wiring	Terminal end-caps at both ends of the luminaire for through-wiring applications
Mounting clips	Spare set (2 pcs) of stainless steel mounting clips (1 set included as standard)



LIGHT DISTRIBUTION:



cd/klm
1200mm, 40W, Frosted Diffuser



cd/klm
1500mm, 65W, Frosted Diffuser

Note:

Polar curves shown here relate to 4000K versions; however, distribution is indicative of the performance of all wattage and colour temperature variants in the range.

LUMEN MAINTENANCE:

Model	L70	L80	L90	Ambient Temp.
Tri-proof, 1500 mm, 4000K 65W	65,000 hrs	43,000 hrs	21,000 hrs	25° C

Lumen maintenance values have been calculated using TM21 methods, based on LM80 data and ISTMT data while operating in the specified ambient conditions. LM80 data covers 6,000 hours, so predictions beyond 36,000 hours are outside of TM21 reporting guidelines, and are provided here for indicative purposes only.