

Rigid Strip Light



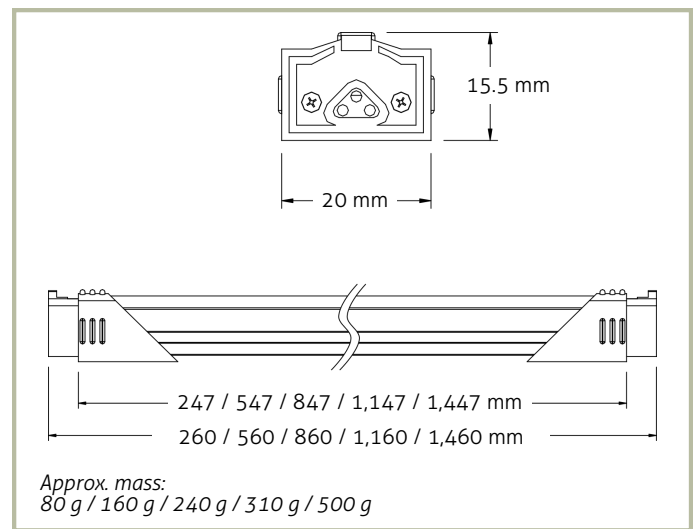
The slim and low-profile proportions and push-fit 'end-to-end' connectivity of Ecopoint's Rigid Strip Light make it a versatile choice for a wide range of decorative, accent and task lighting applications. Whether integrated into furniture or joinery, used in a seamless cove lighting arrangement, or mounted to retail displays, the rigid aluminium and polycarbonate construction offers a more robust and reliable solution than LED tape products. Options include multiple wiring options, a choice of colour temperatures, clear or frosted diffusers, and fixed or tiltable mounts.

Key applications: Refrigeration, Cabinetry/Joinery, Architectural features etc.

GENERAL SPECIFICATIONS:

Electrical Input	24V DC (driver selected separately)
Maximum Power	Up to 150 W (max. approx. 9 meters)
Dimming Options	On request
Colour Temperatures	3000K, 4000K, 5000K (+ others)
Colour Rendering Index	Ra ≥ 80 (>90 on request)
Colour Consistency	<5 SDCM
Operating Temperatures	- 40 to 50 deg. C
Construction	Ext. alum. Body, PC diffuser
Ingress Protection	IP40
Impact Protection	-
Warranty	3 years

DIMENSIONS:



MODELS

Product Code	Description	Size	Power*	Flux**
ERL260S4W840-CL ERL260S4W840-FR	Rigid Strip Light, 24V DC, 4 W, CRI>80, 4000K, Clear (CL) or Frosted (FR) diffuser	260 x 20 x 15.5 mm (247 mm 'connected')	4 W	340 lm 220 lm
ERL560S9W840-CL ERL560S9W840-FR	Rigid Strip Light, 24V DC, 9 W, CRI>80, 4000K, Clear (CL) or Frosted (FR) diffuser	560 x 20 x 15.5 mm (547 mm 'connected')	9 W	730 lm 510 lm
ERL860S13W840-CL ERL860S13W840-FR	Rigid Strip Light, 24V DC, 13 W, CRI>80, 4000K, Clear (CL) or Frosted (FR) diffuser	860 x 20 x 15.5 mm (847 mm 'connected')	13 W	1,120 lm 800 lm
ERL1160S18W840-CL ERL1160S18W840-FR	Rigid Strip Light, 24V DC, 18 W, CRI>80, 4000K, Clear (CL) or Frosted (FR) diffuser	1160 x 20 x 15.5 mm (1,147 mm 'connected')	18 W	1,520 lm 1,090 lm
ERL1460S22W840-CL ERL1460S22W840-FR	Rigid Strip Light, 24V DC, 22 W, CRI>80, 4000K, Clear (CL) or Frosted (FR) diffuser	1460 x 20 x 15.5 mm (1,447 mm 'connected')	22 W	1,920 lm 1,380 lm

Notes:

* Power values refer to nominal load from the strip (+/- 1 W); additional driver losses of approx. 10 to 15% apply depending on total load.

** All flux values shown here refer to CRI>80 4000K specification; other colour rendering and colour temperature options on request.



SYSTEM DRIVERS:

Electrical Input // Output	90-264 VAC, 47-63 Hz // 24 VDC out
Operating Temperatures	-30 to 50 deg. C
Ingress Protection	IP65
Connectivity	1 m leads (in & out), plug connectors



Product Code	Description
ERL-DRIV-20W	ERL Driver, 20 W, 118 x 35 x 26 mm
ERL-DRIV-60W	ERL Driver, 60 W, 163 x 43 x 32 mm
ERL-DRIV-100W	ERL Driver, 100 W, 190 x 52 x 37 mm
ERL-DRIV-150W	ERL Driver, 150 W, 191 x 63 x 38 mm

MOUNTING ACCESSORIES:

Product Code	Description
--------------	-------------



N/A

Fixed bracket (non-adjustable) for screw-fixing directly to mounting surfaces. Two brackets included as standard with every light strip unit.

Bracket has a footprint of 17 x 20 mm, and total height of the strip with fixed bracket attached is 17 mm.

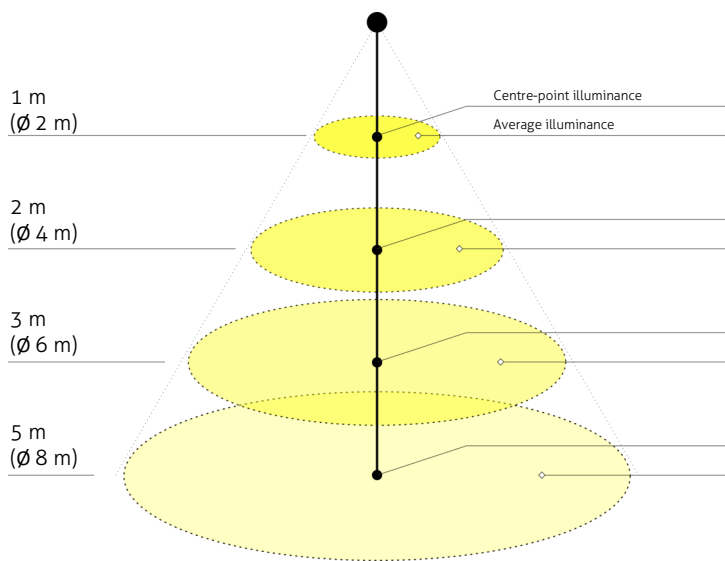


ERL-BRKT

Adjustable bracket, allows 180 degrees of rotation (+/- 90 degrees from vertical). Incorporates magnet for tool-free attachment to metal surfaces, or can be screw-fixed to mounting surfaces.

Bracket has a footprint of 27 x 26 mm, and the total height of the strip with adjustable bracket attached is 37 mm

LIGHT DISTRIBUTION:



	260 mm	560 mm	860 mm	1,160 mm	1,460 mm
	340 lm	730 lm	1,120 lm	1,520 lm	1,920 lm
1 m (Ø 2 m)	91 lux 50 lux	167 lux 71 lux	240 lux 117 lux	341 lux 154 lux	456 lux 219 lux
2 m (Ø 4 m)	33 lux 14 lux	58 lux 31 lux	94 lux 45 lux	139 lux 69 lux	159 lux 87 lux
3 m (Ø 6 m)	12 lux 4 lux	34 lux 16 lux	52 lux 23 lux	75 lux 38 lux	83 lux 47 lux
5 m (Ø 8 m)	- -	15 lux 7 lux	22 lux 10 lux	35 lux 16 lux	52 lux 27 lux

Note:

Polar curves shown here relate to 4000K 'Clear' versions; however, distribution is indicative of the performance of other CCT variants. For indicative figures relating to the 'Frosted' versions, please de-rate lux values by approx. 30%.

LUMEN MAINTENANCE:

Model	L70	L80	L90	Ambient Temp.
All models/lengths (B10 basis)	54,000 hrs	34,000 hrs	17,000 hrs	25° C

Lumen maintenance values have been calculated using TM-21 methods, based on LM-80 data and ISTMT data while operating in 25 deg. C ambient conditions. LM-80 data covers 6,000 hours, so predictions beyond 36,000 hours are outside of TM-21 reporting guidelines, and are provided here for indicative purposes only.