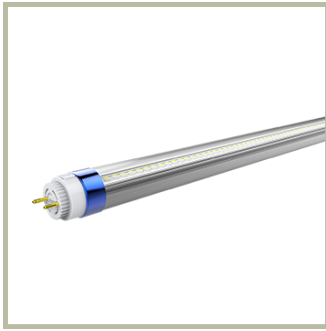


J-Series G2 LED T8 Lamp

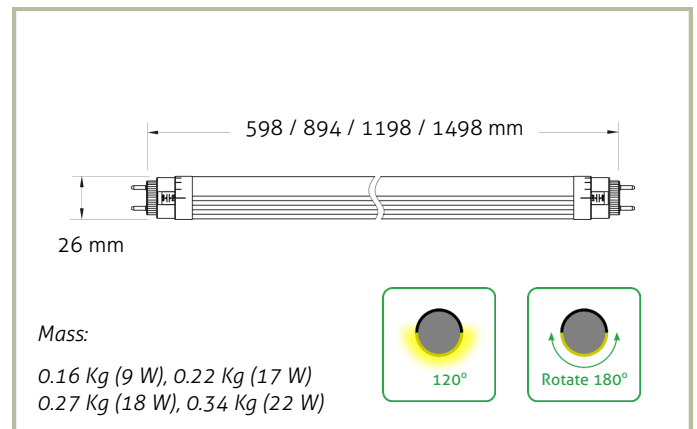


The J-Series offers superior light output in a sleek 26 mm diameter body (identical to a T8 fluorescent tube), with an efficient aluminium heat sink, choice of frosted or clear lens, lockable rotating end-caps and proven Ecopoint build quality. Upgrading outdated fluorescent lighting with Ecopoint's J-Series LED tubes is a quick and easy way to slash your business's energy and maintenance costs.

Key applications: General fluorescent tube replacement (e.g. offices, retail, education etc.)

GENERAL SPECIFICATIONS:

Electrical Specifications	200-277 V / 50-60 Hz / PF \geq 0.95
Dimming Options	Not available
Colour Temperatures	4000K (3000K, 5000K, 6000K opt.)
Colour Rendering Index	Ra \geq 80
Colour Consistency	\leq 5 SDCM
Operating Temperatures	- 20 to 40 deg. C
Construction	Ext. aluminium body, PC diffuser
Ingress Protection	IP20
Warranty	5 years



STANDARD OUTPUT

Product Code	Description	Size	Power	Flux*
EJF4K600G2-SO	J-Series G2 LED T8, 600mm, 4000K, Frosted lens, Standard Output	598 mm x \varnothing 26 mm	9 W	1,140 lm
EJF4K900G2-SO	J-Series G2 LED T8, 900mm, 4000K, Frosted lens, Standard Output	894 mm x \varnothing 26 mm	17 W	2,050 lm
EJF4K1200G2-SO	J-Series G2 LED T8, 1200mm, 4000K, Frosted lens, High Output	1198 mm x \varnothing 26 mm	18 W	2,250 lm
EJF4K1500G2-SO	J-Series G2 LED T8, 1500mm, 4000K, Frosted lens, High Output	1498 mm x \varnothing 26 mm	22 W	2,900 lm

HIGH OUTPUT

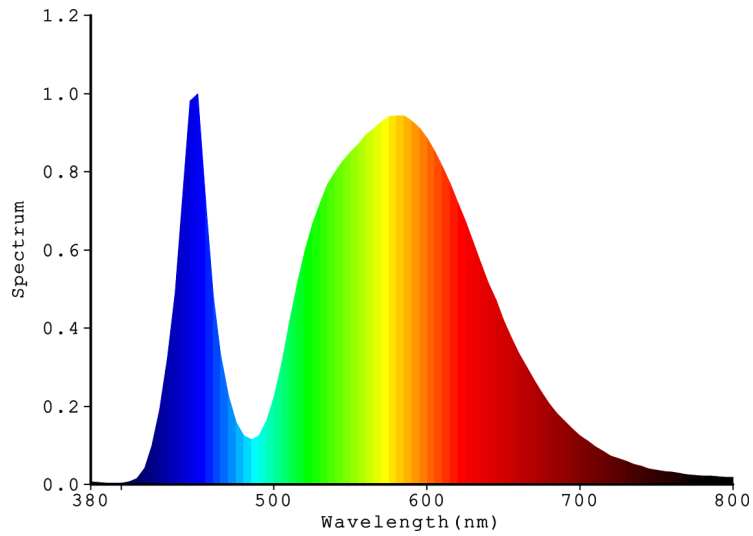
Product Code	Description	Size	Power	Flux**
EJF4K1200G2-HO	J-Series G2 LED T8, 1200mm, 4000K, Frosted lens, High Output	1198 mm x \varnothing 26 mm	18 W	3,200 lm
EJF4K1500G2-HO	J-Series G2 LED T8, 1500mm, 4000K, Frosted lens, High Output	1498 mm x \varnothing 26 mm	22 W	4,000 lm

Notes:

* Standard Output flux values shown here refer to 4000K specification, frosted lens.

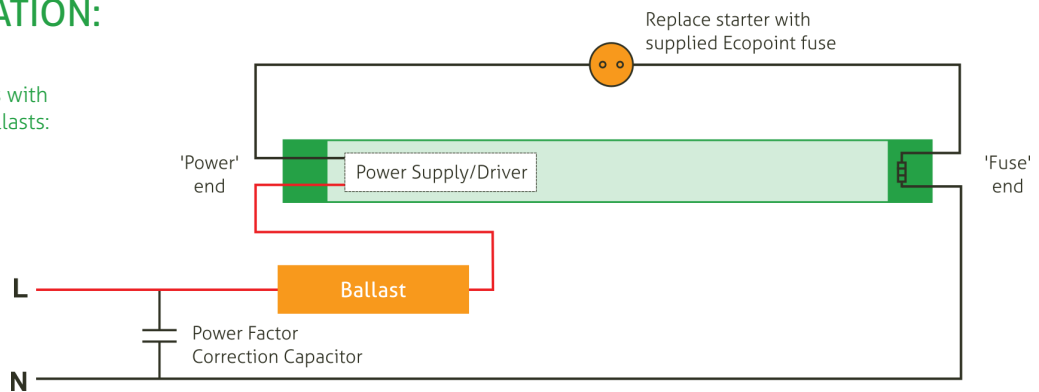
** High Output flux values shown here refer to 5000K specification, frosted lens.

COLOUR SPECTRUM DATA:

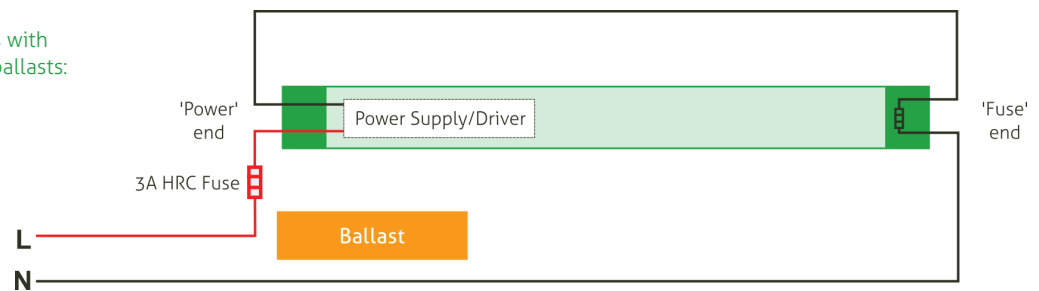


WIRING INFORMATION:

* For luminaires with **MAGNETIC** ballasts:



* For luminaires with **ELECTRONIC** ballasts:



LUMEN MAINTENANCE:

Model	L70	L80	L90	Ambient Temp.
J-Series G2 LED T8 Lamps (all variants)	91,000 hrs	71,000 hrs	34,000 hrs	25° C

Lumen maintenance values have been calculated using TM21 methods, based on LM80 data and ISTMT data while operating in the specified ambient conditions. LM80 data covers 10,000 hours, so predictions beyond 60,000 hours are outside of TM21 reporting guidelines, and are provided here for indicative purposes only.