

LED Deep Downlight



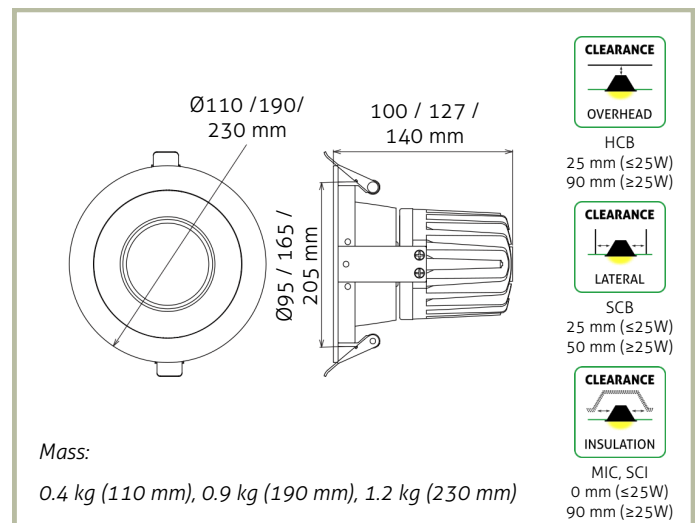
Ecopoint's Deep Downlight achieves a low glare rating of UGR <19, due to its deep reflector design. This allows the fitting to be used with confidence in office environments and areas where workstations can be affected by the glare from adjoining luminaires. A Citizen COB light engine and good heatsink design combine to produce excellent lumen maintenance values.

Key applications: Offices, Common areas, Foyers and lobbies

GENERAL SPECIFICATIONS:

Power Factor	≥ 0.9 (230V)
Electrical Input	AC200-240 V / 50-60 Hz
Dimming Options	Triac (Std.), 1-10V, DALI & Casambi (opt.)
Colour Temperatures	4000K (2700K, 3000K, 5000K opt.)
Colour Rendering Index	Ra ≥ 80 (Ra ≥ 90 opt.)
Colour Consistency	≤ 3 SDCM
Operating Temperatures	- 20 to 45 deg. C
Construction	Cast aluminium body
Ingress Protection	IP20
Insulation Rating	IC (≤ 25 W models) / Do not cover (≥ 25 W models)
Warranty	5 years

DIMENSIONS:



STANDARD MODELS

Product Code	Description	Size	Power	Flux*
EDDR110W13W840	Deep Downlight, R110, 13W, 4000K (45 deg)	Ø 110 x 100 mm (cut-out Ø 95-100 mm)	14 W	1,000 lm
EDDR190W25W840	Deep Downlight, R190, 25W, 4000K (36 deg)	Ø 190 x 127 mm (cut-out Ø 165-180 mm)	26 W	2,620 lm
EDDR230W35W840	Deep Downlight, R230, 35W, 4000K (45 deg)	Ø 230 x 140 mm (cut-out Ø 205-220 mm)	35 W	3,390 lm

Notes:

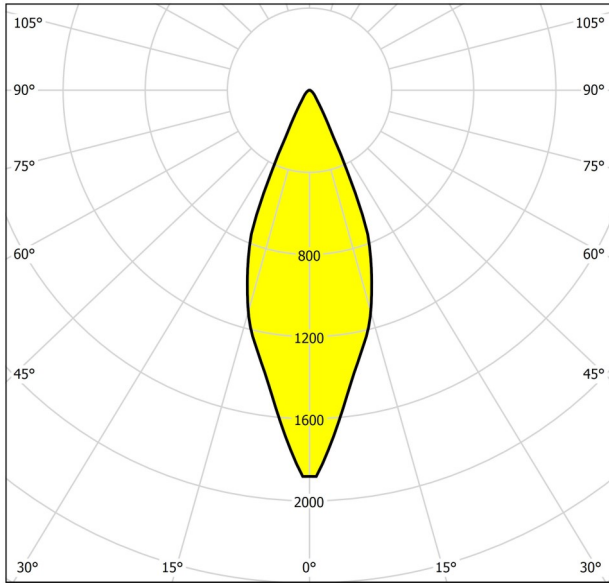
* All flux values shown here refer to 4000K specification.

GLARE EVALUATION (UGR):

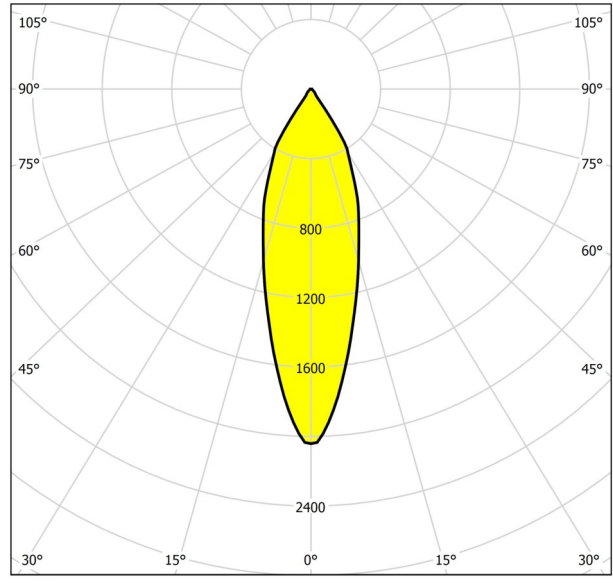
Model	Axial	Transverse
EDDR100W13W840	18.7	17.1
EDDR180W25W840	18.0	17.3
EDDR220W35W840	18.5	17.9

UGR values determined by the tabular method for 4H x 8H room with 70%/50%/20% reflectances. For an accurate design-specific assessment of glare, please request IES files for your lighting software or contact us to help you with a simulation.

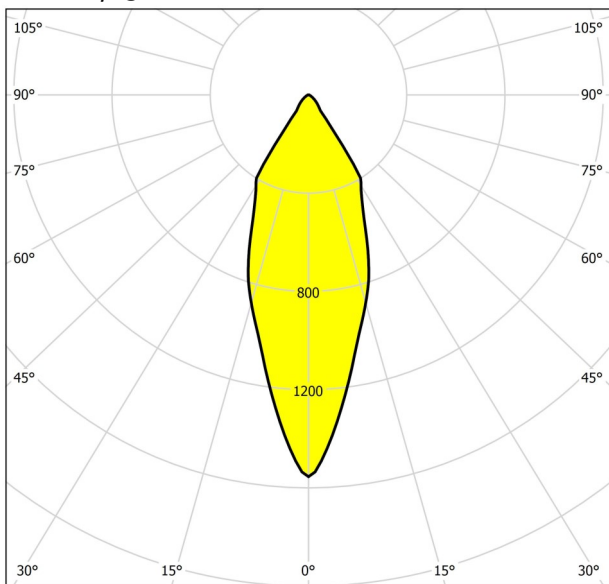
LIGHT DISTRIBUTION:



cd/klm
110 mm, 13W Version



cd/klm
190 mm, 25W Version



cd/klm
230 mm, 35W Version

Note:

Polar curves shown here relate to 4000K version; however, distribution is indicative of the performance of all colour temperature variants.

LUMEN MAINTENANCE:

Model	L70	L80	L90	Ambient Temp.
Deep Downlight 13W (B10 basis)	-	96,000 hrs	44,000 hrs	25° C
Deep Downlight 35W (B10 basis)	-	92,000 hrs	42,000 hrs	25° C

Lumen maintenance values have been calculated using TM21 methods, based on LM80 data and ISTMT data while operating in the specified ambient conditions. LM80 data covers 15,000 hours, so predictions beyond 90,000 hours are outside of TM21 reporting guidelines, and are provided here for indicative purposes only.