

Backlit Panel G2



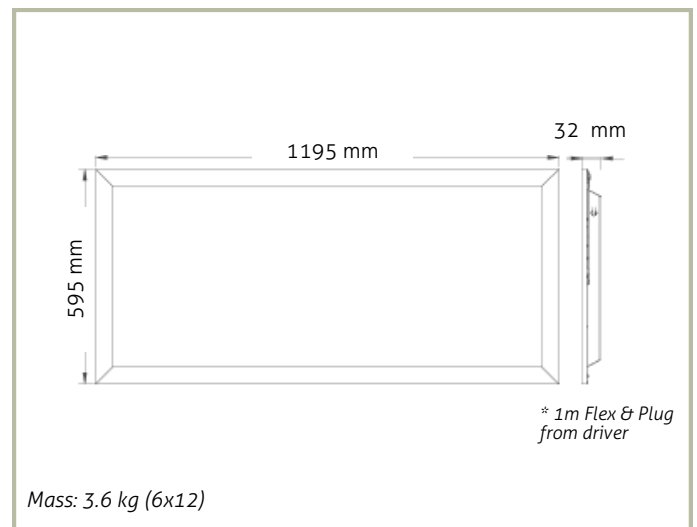
Ecopoint introduced its first backlit panel product in 2016, leveraging the improved thermal management characteristics which allowed higher power configurations for retail and other high-intensity applications. This second generation product further refines the capabilities of this versatile range, with high-efficiency and long-life components covering a broader range of general interior applications. Available in standard 1200x600 size with low-glare optic, selectable colour temperature and a 1-10V switchable wattage driver.

Key applications: Offices, Retail, Schools, Banks, Hotels, Marine, Residential etc.

GENERAL SPECIFICATIONS:

Power Factor	≥ 0.95 (Typical, 230V)
Electrical Input	220-240 V / 50-60 Hz
Dimming Options	DALI, Triac
Colour Temperatures	3000K,/4000K/5000K
Colour Rendering Index	Ra ≥ 80
Colour Consistency	<3 SDCM
Operating Temperatures	- 25 to 50 deg. C
Construction	Alum. & ABS body, Polycarb, diffuser
Ingress Protection	IP20
Impact Protection	-
Warranty	5 years

DIMENSIONS:



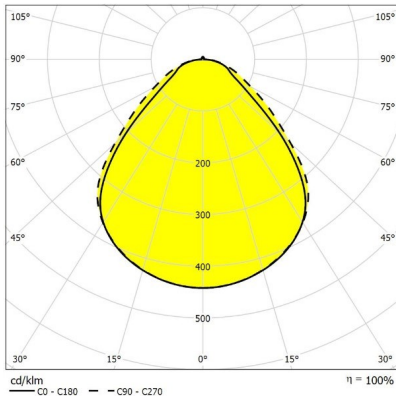
STANDARD MODELS

Product Code	Description	Size	Power	Flux*
EBP6X12W840LG-TRI	Backlit Panel G2 600x1200, White, 31W - 61W CRI80 3000K/4000K/5000K	595 x 1195 x 32	31 - 61W	3,300 - 6,200 lm

Notes:

* Flux value shown here refer to 4000K specification.

LIGHT DISTRIBUTION:



Backlit Panel G2 600x1200 31W

Note:

Polar curves shown here relate to 4000K versions; however, distribution is indicative of the performance of other CCT variants.

PHOTOMETRIC PERFORMANCE

Standard CRI80 4000K	Driver Model	Current Setting (mA)	Power (W)	Flux (lm)
Backlit Panel G2 600x1200 840	800-2000 mA	800	31	3,300
		1,000	39	4,000
		1,150	44	4,600
		1,250	48	5,000
		1,400	55	5,500
		1,600	61	6,200

DRIVER OPTIONS

I rated*	Description	1	2	3	4	5	6**
800 mA	Driver to suit EBP G2 31W, 200-240V, flicker-free, THD<10%, PF>0.95	ON	--	ON	--	ON	ON
1,000 mA	Driver to suit EBP G2 39W, 200-240V, flicker-free, THD<10%, PF>0.95	ON	ON	ON	--	ON	--
1,150 mA	Driver to suit EBP G2 44W, 200-240V, flicker-free, THD<10%, PF>0.95	--	--	--	--	ON	--
1,250 mA	Driver to suit EBP G2 48W, 200-240V, flicker-free, THD<10%, PF>0.95	ON	--	ON	ON	--	--
1,400 mA	Driver to suit EBP G2, 55W 200-240V, flicker-free, THD<10%, PF>0.95	--	ON	--	ON	--	--
1,600 mA	Driver to suit EBP G2 61W, 200-240V, flicker-free, THD<10%, PF>0.95	ON	ON	ON	--	--	--

Notes:

* The output current of the driver can be adjusted with a DIP-switch

** -- Means channel is OFF

LUMEN MAINTENANCE:

Model	L70	L80	L90	Ambient Temp.
Backlit Panel G2 600x1200	>100,000 hrs	>100,000 hrs	50,000 hrs	25° C

Lumen maintenance values have been calculated using TM-21 methods, based on LM-80 data and ISTMT data while operating in 25 deg. C ambient conditions. LM-80 data covers 9,000 hours, so predictions beyond 54,000 hours are outside of TM-21 reporting guidelines, and are provided here for indicative purposes only. Colour shift based on average chromaticity shift recorded at 9,000 hours.

GLARE EVALUATION (UGR):

Standard Optic

Model	Axial	Transverse
600 x 1200, 31 W	15.3	15.1
600 x 1200, 44 W	16.5	16.2
600 x 1200, 55 W	17.1	16.9
600 x 1200, 61 W	17.5	17.3

UGR values determined by the tabular method for 4H x 8H room with 70%/50%/20% reflectance. For an accurate design-specific assessment of glare, please request IES files for your lighting software or contact us to help you with a simulation.